

Filter fittings



- ▶ Adjustable mounting angle due to the use of locking nut.
- ▶ No need for seal with Teflon tape or glue due to the use of O-ring seals.

Technical data

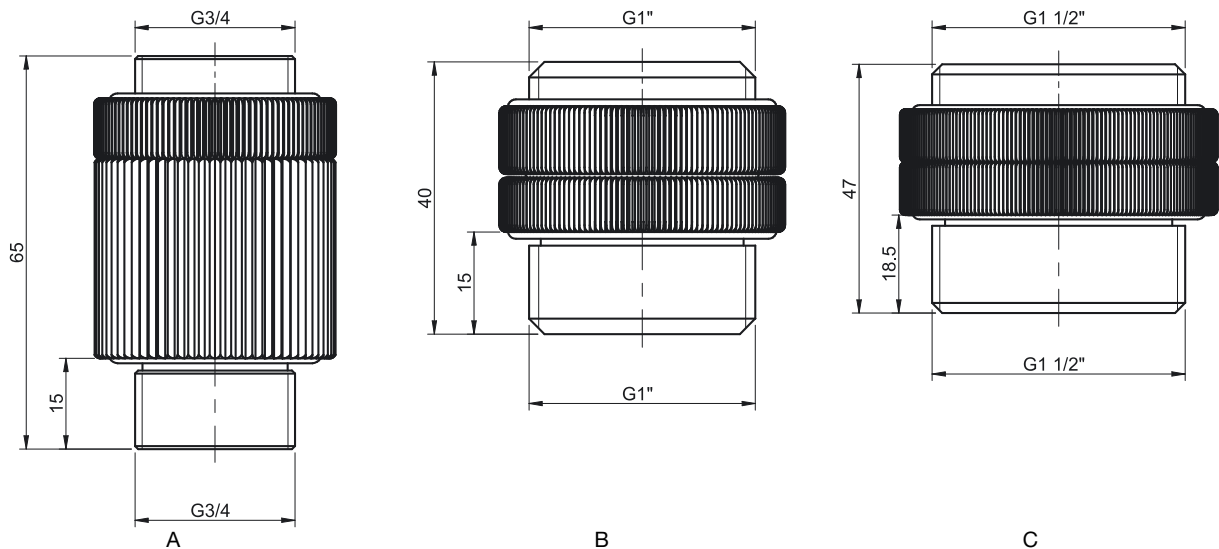
Description	Unit	Value
Material		Al, NBR
Temperature range	°C	-20-80

Technical data, specific

Description	Unit	Value		
		3330052	0113979	3330051
Weight	g	90	58	110
Connection		2 x G3/4"	2 x G1"	2 x G1 1/2"

Ordering information

	Description	Art. No.
A	Filter fitting 3/4"	3330052
B	Filter fitting 1"	0113979
C	Filter fitting 1 1/2"	3330051



Silencers



- ▶ Reduce noise from exhaust
- ▶ Flow-through design

Technical data

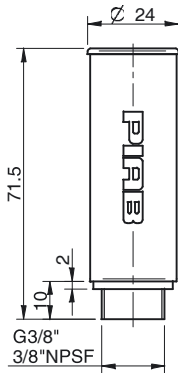
Description	Unit	Value	
Noise level reduction, approximately	dB(A)	-10	0117605
Temperature range	°C	-20-100	-20-100
Material		PA, HDPE	Al, POM, HDPE, SS

Technical data, specific

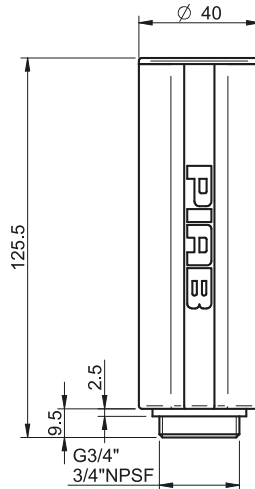
Description	Unit	Value				
		3216009	3216002	0112499/0113003	0103224	0117782
Weight	g	14	61	120	425	893

Ordering information

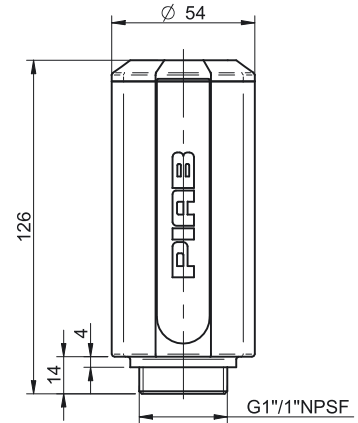
	Description	Art. No.
A	Silencer G3/8"	3216009
B	Silencer G3/4"	3216002
C	Silencer G1"	0112499
C	Silencer 1" NPSF	0113003
D	Silencer G1 1/2"	0103224
E	Silencer G2 1/2"	0117782



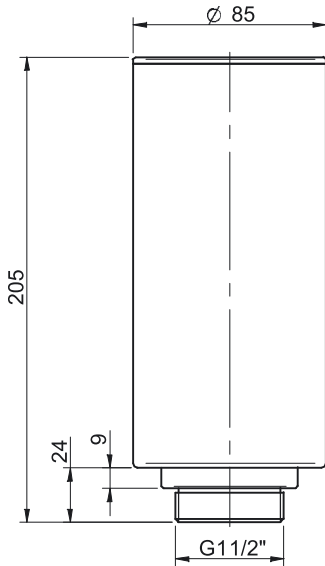
A



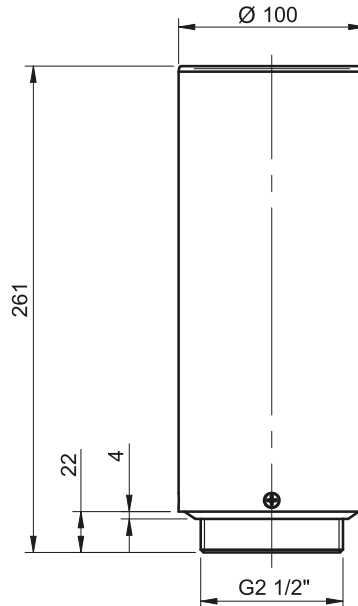
B



C



D



E

Silencer COAX®



- ▶ Reduces noise from the exhaust
- ▶ Compatible with aluminium holders for COAX® MINI and COAX® MIDI cartridges
- ▶ Simple snap locking when mounting
- ▶ Through-flow design that eliminates the risk of impaired performance due to clogging of the silencer

Technical data

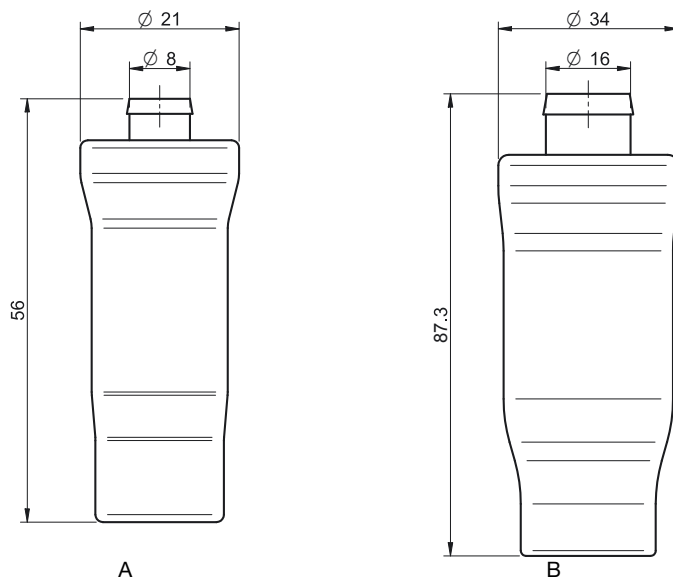
Description	Unit	Value
Material		PA, TPU, PE
Temperature range	°C	-20-80
Noise level reduction	dB(A)	≥10

Technical data, specific

Description	Unit	Value	
		0111977	0111976
Weight	g	8.64	36.56

Ordering information

	Description	Art. No.
A	Silencer COAX® MINI	0111977
B	Silencer COAX® MIDI	0111976



Vacuum gauge and manometers



- ▶ Analogue indicator, springjoint – lever system
- ▶ The instruments include nut for installation on a panel

Technical data

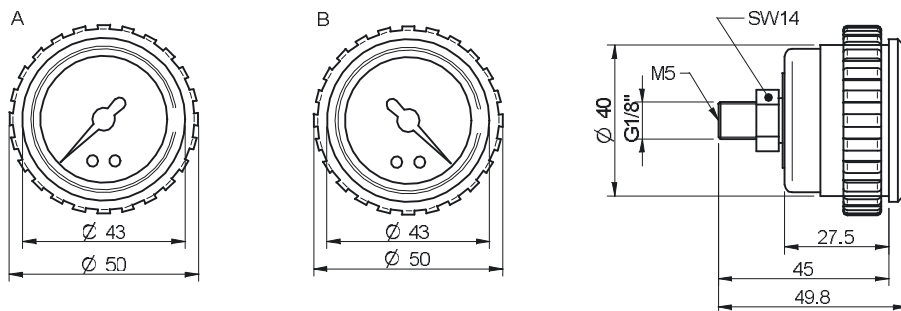
Description	Unit	Value
Accuracy, of full scale	%	2.5
Material		CuZn, ABS, PMMA

Technical data, specific

Description	Unit	Value		
		3101602	3101603	3101626
Weight	g	90	55	50
Signal range	MPa	0–0.1	0–1	0–0.25
Medium		Vacuum	Over pressure	

Ordering information

	Description	Art. No.
B	Vacuum gauge 100 -kPa, with nut	3101602
A	Manometer 1 MPa	3101603
A	Manometer 250 kPa	3101626



Connection kits



- ▶ Push-in connectors with hose dimensions compatible with the pump connections.
- ▶ Corrosion-resistant material.
- ▶ Complete kit for one pump.

Technical data

Description	Unit	Value		
		Connection kits	Barrel nipples	Hose connectors
Temperature range	°C	-25-75	0-60	0-80
Material		POM, NBR, SS, CuZn, Al	PVC	PPG

Technical data, specific

Description	0104902	0104903	3207010
Connection kit for vacuum pump	MINI 10	MINI 5-20	CLASSIC 25-120
Connection plate	A	B, C	D
Hose dimension* for compressed air	d=4 mm	D=6 mm	D=8 mm
Hose dimension* for vacuum	D=6 or 8 mm	D=10 mm	d=12, 19, 25 mm

*d = inner diameter, D = outer diameter

Ordering information

Description	Art. No.
Connection kit for pump MINI 10, connection plate A	0104902
Connection kit for pump MINI 5-20, connection plate C and pump MINI 10-20, connection plate B	0104903
Connection kit for pump CLASSIC 25-120, connection plate D	3207010