

Vacuum filters



- ▶ To filter dust and other small particles from the vacuum flow.
- ▶ Reduces the risk of operation breakdown or stoppage in the pump.
- ▶ Replaceable filter element.
- ▶ Available with special filter element with increased filter area

Technical data

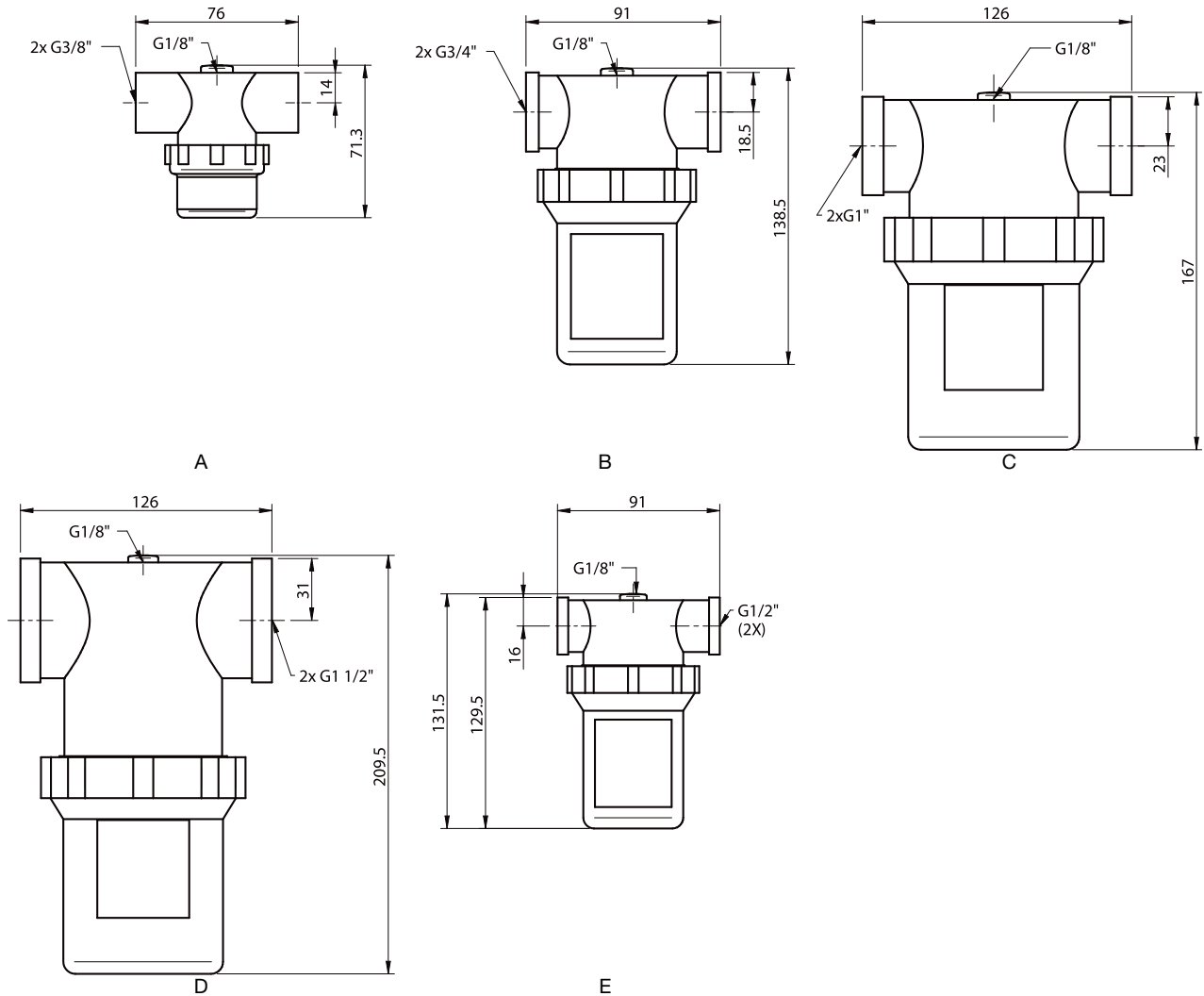
Description	Unit	Value
Pressure range	MPa	-0.1–0 MPa
Material		PE, PP, PA
Temperature range	°C	-20–80
Removal efficiency	µm	10

Technical data, specific

Description	Unit	Value				
		3116671	3116651	3116652	3116672	3116653
Weight	g	70	168	170	424	550
Flow nominal	l/s	2.5	15	15	42	85
Volume Internal	cm ³	45	195	205	495	675
Filter area	m ²	0.003	0.010	0.010	0.019	0.023

Ordering information

	Description	Art. No.
A	Vacuum filter G3/8"	3116671
B	Vacuum filter G3/4"	3116652
C	Vacuum filter G1"	3116672
D	Vacuum filter G1½"	3116653
E	Vacuum filter G1/2"	3116651
E	Vacuum filter G1/2" (special)	0110521
B	Vacuum filter G3/4" (special)	0110522
D	Vacuum filter G1 1/2" (special)	0110523



Technical data, accessories

Description	Unit	Value					
		3116673	3116674	3116675	3116676	3116223	3116224
Weight	g	7	26	50	74	80	144
Filter area	m ²	0.003	0.010	0.019	0.023	0.028	0.074
Removal efficiency	µm	10	10	10	10	5	5

Ordering information, accessories

Description	Art. No.
Filter element 3/8"	3116673
Filter element 1/2" & 3/4"	3116674
Filter element 1"	3116675
Filter element 1½"	3116676
Filter element 1/2" & 3/4" (special)	3116223
Filter element 1½" (special)	3116224

Vacuum filter S



- ▶ To filter dust and other small particles from the vacuum flow.
- ▶ Reduces the risk of operation breakdown or stoppage in the pump.

Technical data

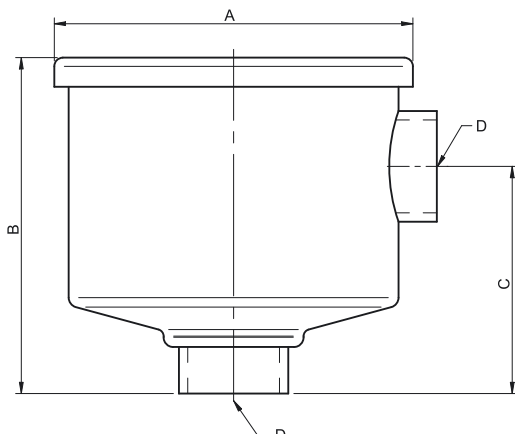
Description	Unit	Value
Pressure range	MPa	-0.1-0
Material		Baked enamel steel, SS, NBR, Polyester
Temperature range	°C	-30-90
Removal efficiency	µm	5

Technical data, specific

Description	Unit	Value			
		3116709	3116654	3116710	0111311
Weight	kg	1.0	2.1	4.9	4.2
Flow	NI/s	16.5	37.7	82.6	100
Volume, internal	cm	810	2560	5830	7000
Filter area	cm	600	1900	4200	7500

Ordering information

Description	Art. No.
Vacuum filter 1", steel	3116709
Vacuum filter 1 1/2", steel	3116654
Vacuum filter 2", steel	3116710
Vacuum filter 2 1/2", steel	0111311



Measures

Description	Art. No.	A [Ø mm]	B [mm]	C [mm]	D
Vacuum filter 1", steel	3116709	150	111	67	G 1"
Vacuum filter 1 1/2", steel	3116654	185	170	115	G 1 1/2"
Vacuum filter 2", steel	3116710	220	260	130	G 2"
Vacuum filter 2 1/2", steel	0111311	200	260	134	G 2 1/2"

Technical data, accessories

Description	Unit	Value			
		3116711	3116658	3116712	0111558
Weight	kg	0.18	0.53	1.00	0.50
Material		Polyester	Polyester	Polyester	Polyester
For Vacuum Filter		3116709	3116654	3116710	0111311

Ordering information, accessories

Description	Art. No.
Filter element 1"	3116711
Filter element 1 1/2"	3116658
Filter element 2"	3116712
Filter element 2 1/2"	0111558